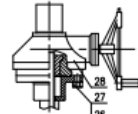
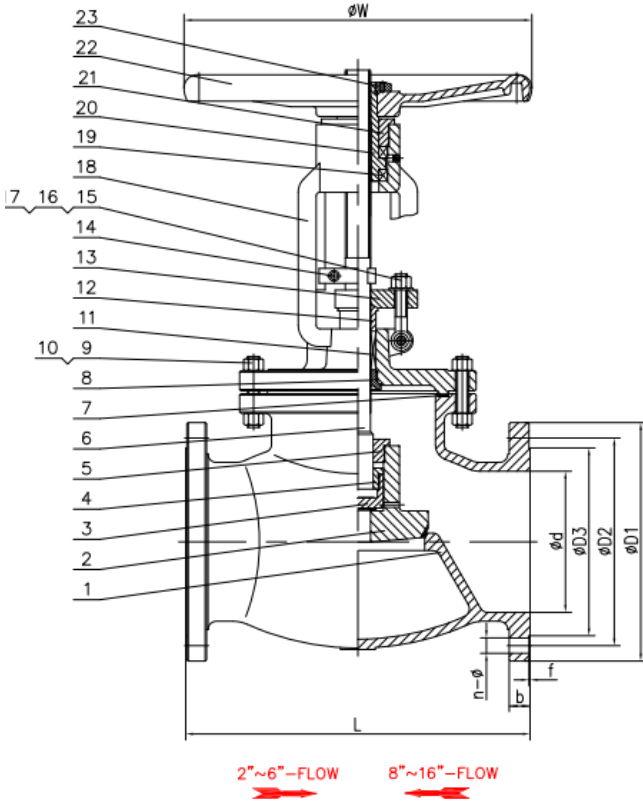
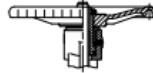


FLANGED END GLOBE VALVE

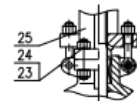
Model : Series GBF Class 600, NPS 6"~10"



Gear are used for Customer's Requirement



Thrust ball bearing are used for 10" and above



Two pieces bonnet used for 6" and above

Specification Standard Sheet	
Shell Test Pressure	7.5
High Pressure Seal Test	5.5
Backseat Seal Test	5.5
Air Test Pressure	0.6
Applicable Temperature	-29~425°C
Applicable Medium	Water, Steam, Oil, etc

Design and manufacture	BS 1873
Face to face	ASME B16.10
End flange Dimensions	ASME B16.5
Pressure test	API 598

NPS	Dimension (mm)						
	d	D1	D2	D3	b	f	n-φ
2"	51	165	127	92	23	1.6	267 200 8-φ19
2½"	64	190	149	105	26		292 250 8-φ22
3"	76	210	168.5	127	29		318 280 8-φ22
4"	102	254	200	157	32		356 300 8-φ22
5"	127	279	235	186	35		400 350 8-φ22
6"	152	318	270	216	37		444 400 12-φ22
8"	203	381	330	270	42		559 550 12-φ25
10"	254	445	387.5	324	48		622 600 16-φ29
12"	305	520	451	381	51		711 700 16-φ32
16"	387	650	571	470	57		863 860 20-φ35

15	Pin	Carbon Steel			
14	Splint	Carbon Steel			
13	Gland Fland	A216 WCB	28	Gear	
12	Gland	A182 F6a	27	Bolt	ASTM A193 B7
11	Packing	Graphite	26	Nut	ASTM A194 2H
10	Bolt	A193 B7	25	Yoke	ASTM A216 WCB
9	Nut	A194 2H	24	Bolt	ASTM A193 B7
8	Back Seat	A105	23	Nut	Carbon Steel
7	Gasket	SS+Graphite	22	Handwheel	A536
6	Stem	A182 F6a	21	Retaining Nut	Carbon Steel
5	Big Disc Nut	A105	20	Stern Nut	A439 D2
4	Small Disc Nut	A105	19	Bearings	Alloy Steel
3	Small Disc	A105+13Cr	18	Bonnet	A216 WCB
2	Big Disc	A105+13Cr	17	Nut	A194 2H
1	Body	A216 WCB+13Cr	16	Eye Bolt	A193 B7
NO.	Parts Name	Material	NO.	Parts Name	Material